

6

5

4

3

2

1

D

C

B

A

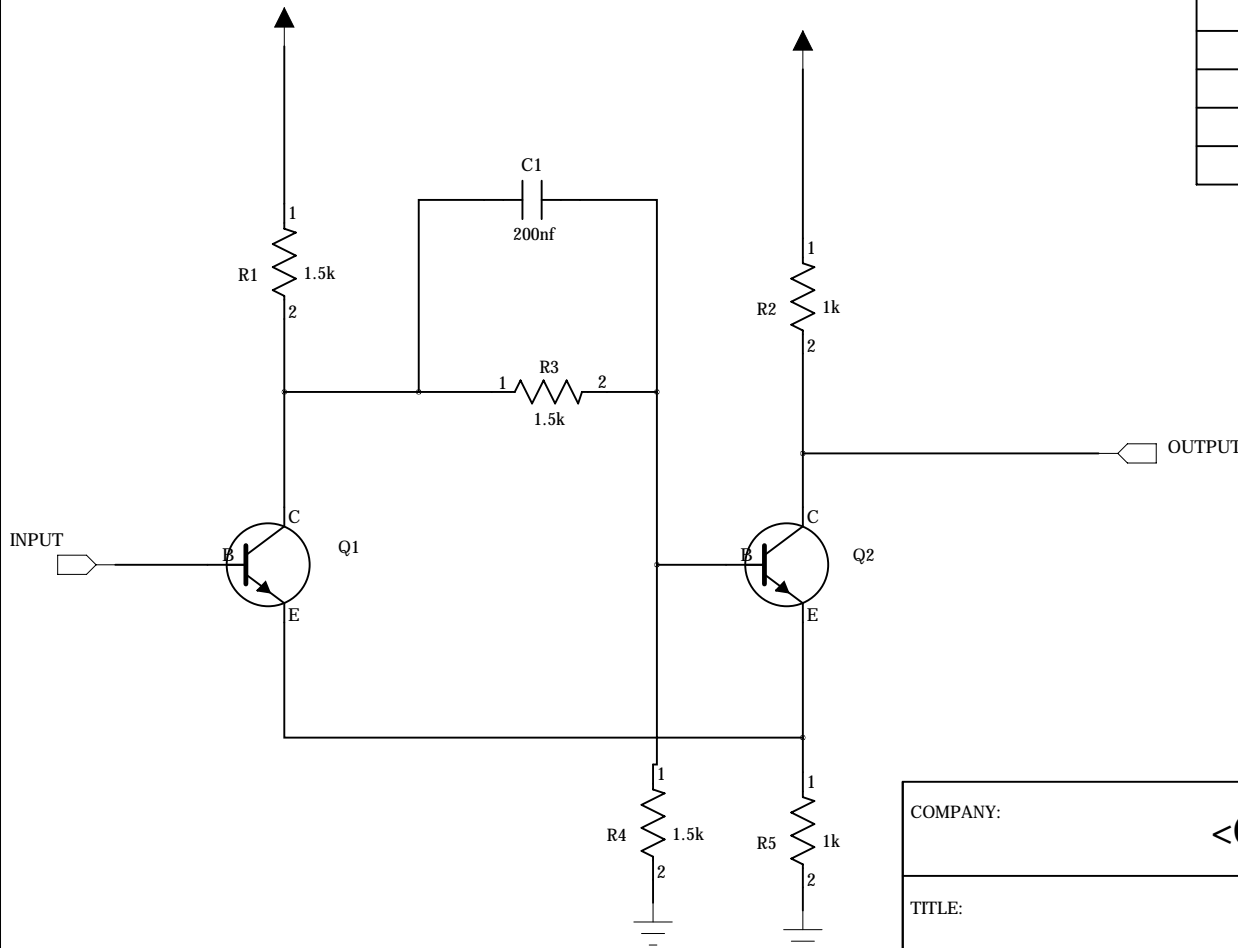
D

C

B

A

REVISION RECORD			
LTR	ECO NO:	APPROVED:	DATE:



COMPANY:				<Company Name>			
TITLE:				<Title>			
CODE:		SIZE:		DRAWING NO:		REV:	
<Code>		A4		<Drawing Number>		<Revision>	
SCALE: <Scale>				SHEET: bf 1			

DRAWN:	DATED:
<Drawn By>	<Drawn Date>
CHECKED:	DATED:
<Checked By>	<Checked Date>
QUALITY CONTROL:	DATED:
<QC By>	<QC Date>
RELEASED:	DATED:
<Released By>	<Release Date>